

PXI-846x Series and the NI-CAN™ Software for Windows 98/95

PXI-8460, PXI-8461, and PXI-8462

This guide contains instructions to help you install your NI-CAN system. A complete document set, including a getting started manual, user manual and programmer reference manual, is in Adobe Acrobat portable document format (pdf) on your *NI-CAN for Windows NT/9x* CD. Refer to the file `readme_for_docs.html` on the CD for the complete document set.

The National Instruments CAN hardware covered in this installation guide includes the PXI-8460 (low speed; one port or two port), PXI-8461 (high speed; one port or two port) or PXI-8462 (dual speed; port one high-speed, port two low-speed) and the NI-CAN software for Windows 98/95. This guide uses PXI-8460 or PXI-8461 to refer to both the one port and two port versions of the boards.

This manual assumes that you are already familiar with Windows 98/95.

Install the NI-CAN Software

Install the NI-CAN software before you install your hardware.

1. Select **Start»Settings»Control Panel**.
2. Double-click on the **Add/Remove Programs** icon in the Control Panel to launch the Add/Remove Programs applet. A dialog box similar to the one in Figure 1 appears.

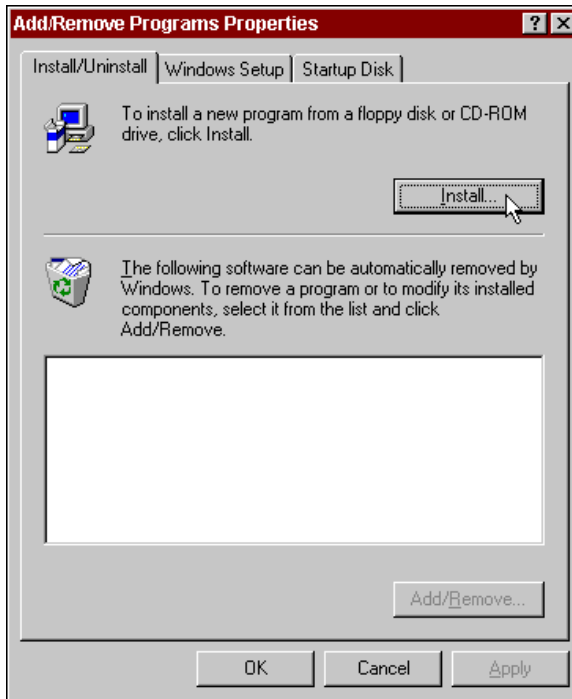


Figure 1. Add/Remove Programs Properties Dialog Box

You can use this same applet to uninstall the NI-CAN software at a later time. Refer to Appendix A, *Uninstalling the Hardware and Software*, in your Windows 98/95 *Getting Started* manual on the CD for more information.

3. Click on the **Install** button.
4. When prompted, insert the CD, *NI-CAN for Windows NT/9x*, and click on the **Next** button to proceed.
5. The setup wizard guides you through the necessary steps to install the NI-CAN software. You may go back and change values where appropriate by clicking on the **Back** button. If at any time you want to exit the setup, click on the **Cancel** button.
6. Shut down Windows 98/95 and turn off your computer when you complete the setup.

Install the Hardware

This section describes how to install your PXI-8460, PXI-8461 or PXI-8462 hardware.

Check the Configuration of Your PXI-8460, PXI-8461 or PXI-8462

If you plan to use your CAN board in a system where bus power is available, you may want to configure the power supply jumpers on your board. See Appendix C, *Cabling Requirements for PXI-8461 High-Speed CAN*, in your Windows 98/95 *Getting Started* manual on the CD for more information.

If you are installing a low-speed CAN board, you might have to change the power supply jumpers or termination resistors. See Appendix B, *Cabling Requirements for PXI-8460 Low-Speed CAN*, in your Windows 98/95 *Getting Started* manual on the CD for more information.

If you are installing a dual-speed CAN board, you might have to change the power supply jumpers or termination resistors. See Appendix D, *Cabling Requirements for PXI-8462 Dual-Speed CAN*, in your Windows 98/95 *Getting Started* manual on the CD for more information.

Install Your PXI-8460, PXI-8461 or PXI-8462



Caution Before you remove the board from the package, touch the antistatic plastic package to a metal part of your system chassis to discharge electrostatic energy, which can damage several components on your board.

1. Make sure that your PXI or CompactPCI chassis is turned off. Keep the PXI or CompactPCI chassis plugged in so that it remains grounded while you install the PXI board.
2. Choose an unused PXI or CompactPCI 5 V peripheral slot.
3. Remove the filler panel for the peripheral slot you have chosen.
4. Touch a metal part on your chassis to discharge any static electricity that might be on your clothes or body.
5. Regarding the RTSI interface on the J2 connector of your PXI-846x series board, there are important issues to consider when using it in a CompactPCI chassis. Please refer to Appendix E, *RTSI Bus*, in your Windows 98/95 *Getting Started* manual on the CD for detailed information about the PXI-846x series RTSI interface.
6. Insert the PXI board into the selected 5 V slot. Use the injector/ejector handle to fully inject the device into place. Figure 2 shows how to install the PXI board into a PXI or CompactPCI chassis.

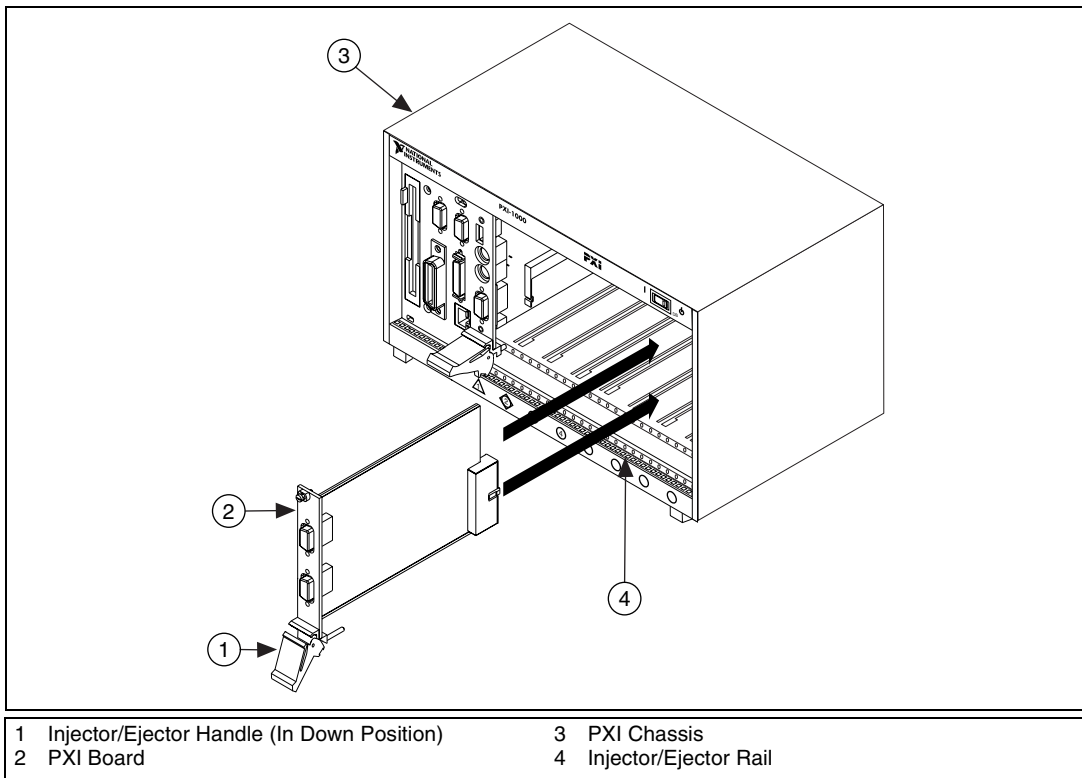


Figure 2. Installing the PXI Hardware

7. Screw the front panel of the PXI board to the front panel mounting rail of the PXI or CompactPCI chassis.
8. Turn on your PXI or CompactPCI chassis and start Windows. Windows should automatically detect the hardware and associate it with the NI-CAN software. A **New Hardware Found** dialog box appears, then goes away on its own. If the dialog box does not go away, select **Windows default driver** and click on the **OK** button.

If the **New Hardware Found** dialog box does not appear when you restart Windows, refer to the section *Device Manager Problems* in Appendix F, *Troubleshooting and Common Questions*, in your Windows 98/95 *Getting Started* manual on the CD for more information.

Connect the Cables

After installation, connect the CAN cables to your PXI board. Because exact cabling requirements vary among applications, National Instruments does not provide cables. Refer to Appendix B, *Cabling Requirements for PXI-8460 Low-Speed CAN*, Appendix C, *Cabling Requirements for PXI-8461 High-Speed CAN*, or Appendix D, *Cabling Requirements for PXI-8462 Dual-Speed CAN*, in your *Windows 98/95 Getting Started* manual on the CD for information about the cabling requirements of CAN hardware.

Further Documentation

A complete document set, including a getting started manual, user manual and programmer reference manual, is in Adobe Acrobat portable document format (pdf) on your *NI-CAN for Windows NT/9x* CD. Refer to the file `readme for docs.html` on the CD for the complete document set.

Technical Support Resources

NI Web Support

National Instruments Web support is your first stop for help in solving installation, configuration, and application problems and questions. Online problem-solving and diagnostic resources include frequently asked questions, knowledge bases, product-specific troubleshooting wizards, manuals, drivers, software updates, and more. Web support is available through the Technical Support section of ni.com

Worldwide Support

National Instruments has offices located around the world to help address your support needs. You can access our branch office Web sites from the Worldwide Offices section of ni.com. Branch office web sites provide up-to-date contact information, support phone numbers, e-mail addresses, and current events.

If you have searched the technical support resources on our Web site and still cannot find the answers you need, contact your local office or National Instruments corporate. For telephone support in the United States, dial 512 795 8248. For telephone support outside the United States, contact your local branch office:

Australia 03 9879 5166, Austria 0662 45 79 90 0, Belgium 02 757 00 20,
Brazil 011 284 5011, Canada (Calgary) 403 274 9391,
Canada (Ontario) 905 785 0085, Canada (Québec) 514 694 8521,
China 0755 3904939, Denmark 45 76 26 00, Finland 09 725 725 11,
France 01 48 14 24 24, Germany 089 741 31 30, Greece 30 1 42 96 427,
Hong Kong 2645 3186, India 91805275406, Israel 03 6120092,
Italy 02 413091, Japan 03 5472 2970, Korea 02 596 7456,
Mexico (D.F.) 5 280 7625, Mexico (Monterrey) 8 357 7695,
Netherlands 0348 433466, New Zealand 09 914 0488,
Norway 32 27 73 00, Poland 0 22 528 94 06, Portugal 351 1 726 9011,
Singapore 2265886, Spain 91 640 0085, Sweden 08 587 895 00,
Switzerland 056 200 51 51, Taiwan 02 2528 7227,
United Kingdom 01635 523545



322912A-01

Aug00